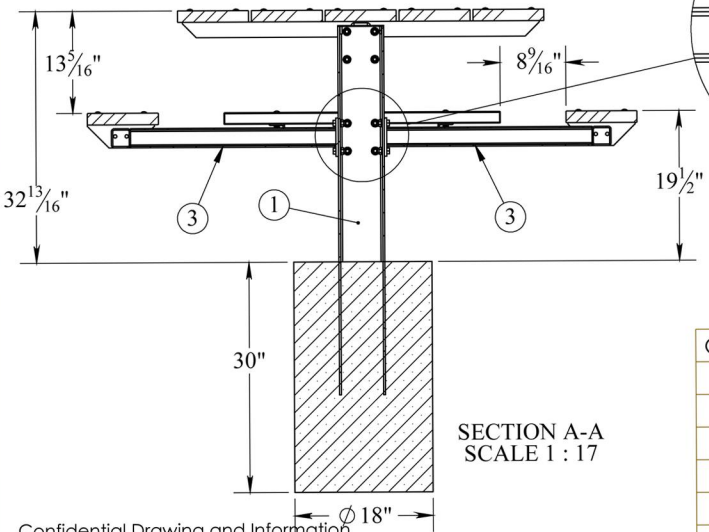
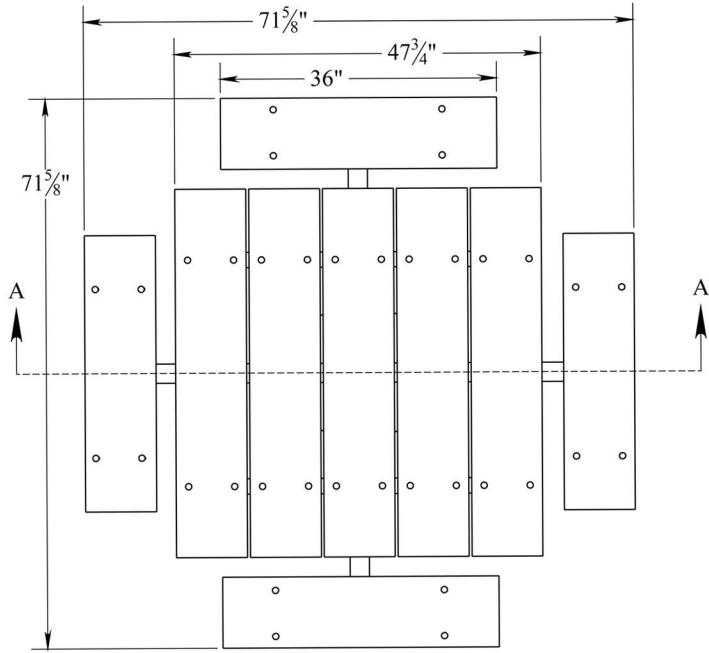


FURNITURE LEISURE INC

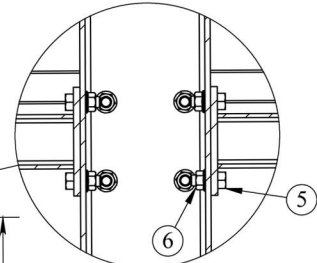
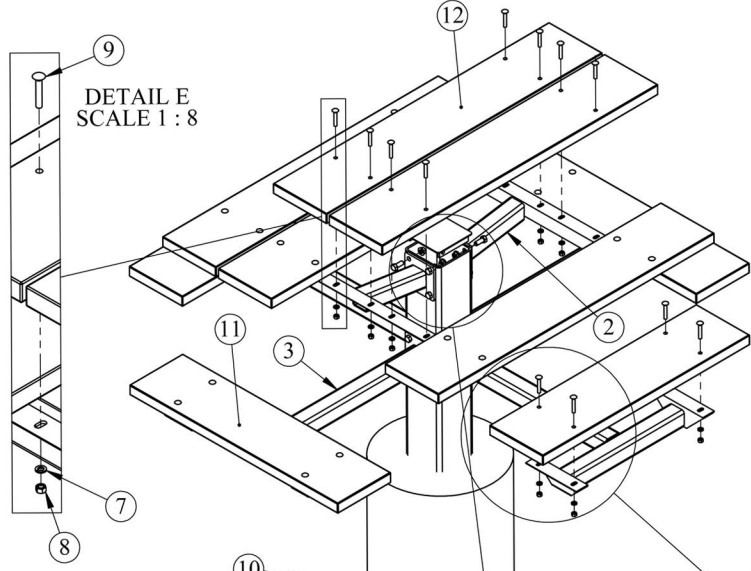
1.800.213.2401 | SALES@FURNITURELEISURE.COM

FurnitureLeisure.com
PicnicFurniture.com
ParkTables.com

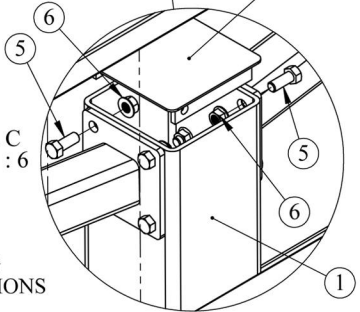
PoolFurnitureSupply.com
PicnicTableSupplier.com
UBrace.com



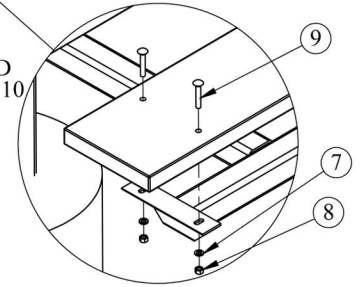
SECTION A-A
SCALE 1 : 17



DETAIL B
SCALE 1 : 6



DETAIL C
SCALE 1 : 6



DETAIL D
SCALE 1 : 10

CHECK WITH LOCAL BUILDING CODES CONCRETE SPECIFICATIONS

ITEM NO.	PART NUMBER	DESCRIPTION	QTY.
1	4SPT-103	4SPT - PEDESTAL POST GALV	1
2	4SPTWSQ-SA1	4SPT TOP ARM ASSY	2
3	4SPT-SA2	SEAT ARM ASSY 22" SEAT MOUNT	4
4	ISPTC-SA5	PEDESTAL CAP ASSY GALV	1
5	HBOLT 0.5000-13x1.25x1.25-N	HEX BOLT 1/2"-13x 1 1/4"	24
6	FLANGEN-1/2	1/2"-13 FLANGED NUT	24
7	Regular LW 0.375	REGULAR LOCK WASHER 3/8"	36
8	HNUIT 0.3750-16-D-N	HEX NUT 3/8"-16	36
9	RHSNBOLT 0.375-16x2.25x1-N	CARRIAGE BOLT 3/8"-16x 2 1/4"	36
10	CONCRETE SONO TUBE		1
11	3SQRP-7	RECYCLED PLASTIC SEAT	4
12	4SPTRP-7	2" x 10" TOP PLANK RP	5

1. Attach (4) Seat Arm Assemblies, Flanged Nuts are on the Inside of the Square Tube.
 2. Attach the Top Arm Assemblies, Flanged Nuts are on the Inside of the Square Tube.
 3. Attach the Seat and Top Planks.
- Be Aware when Reaching Inside of Square Tube to Assemble Arms, Top Surface of Galvanized Edges may be Sharp**

Confidential Drawing and Information is Not to be Copied or Disclosed to Others without the Consent of Kay Industries. Specifications are Subject to Change without Notice

GENERAL NOTES:		UNLESS OTHERWISE SPECIFIED:	NAME	DATE	TITLE:
DIMENSIONS ARE IN INCHES TOLERANCES: FRACTIONAL ± 1/32 BEND ± 1/2" THREE PLACE DECIMAL ± .005 Do Not Scale Drawing		DRAWN	DAT	10/5/2016	DESC.
MATERIAL		CHECKED			
		ENG APPR.			
		MFG APPR.			
		Last Saved		10/5/2016 1:58:55 PM	
		COMMENTS:			
SHEET 1 OF 1		SIZE	PART NO. 4SPTGRP		REV

Path to Part or Assy - 4SPTGRP

Single Post Recyclrd Plastic Table