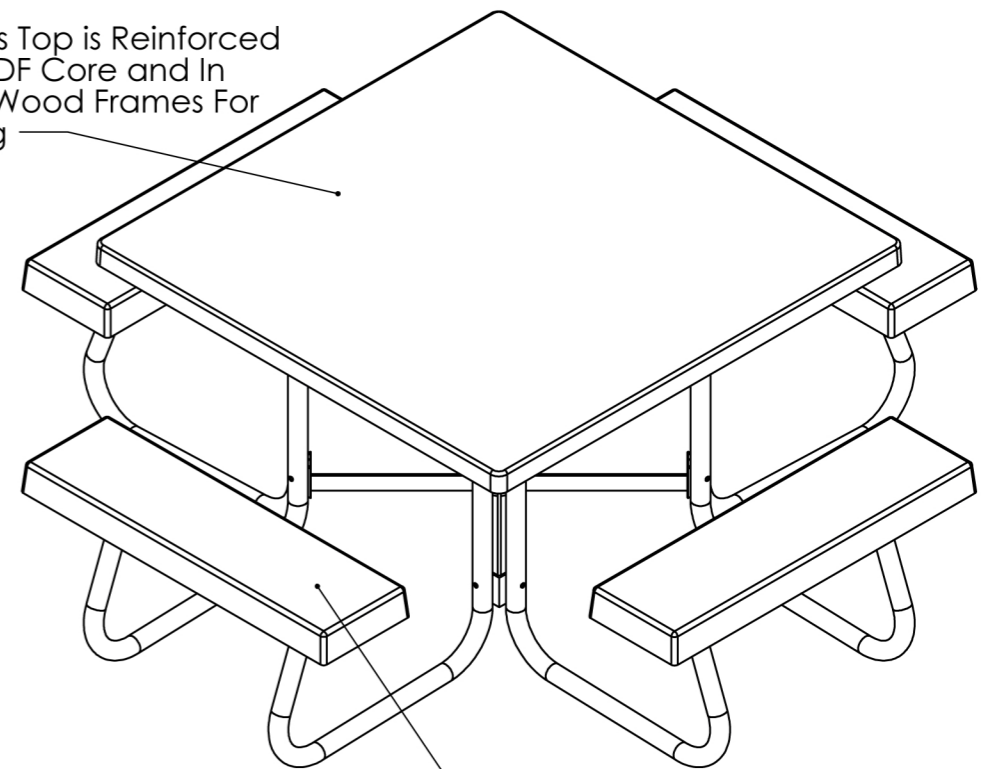


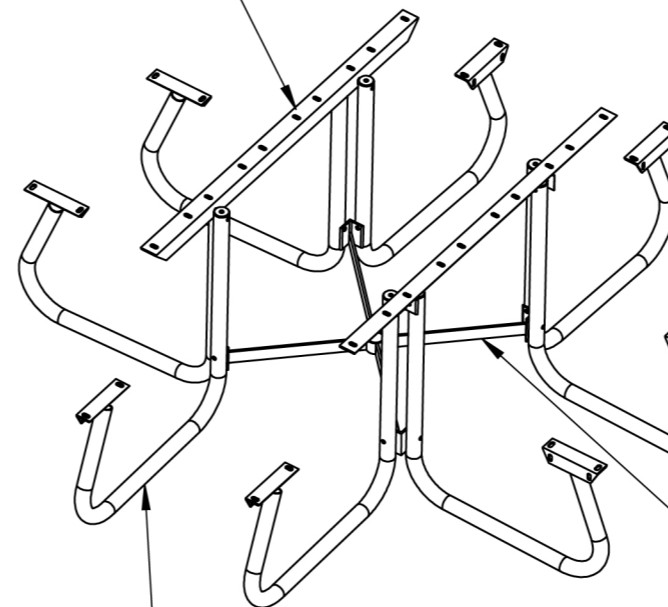
Table Rests on These Surfaces, This Enables Less Rocking of the Table and Satbilizes the Legs.

Fiberglass Top is Reinforced with a MDF Core and In Molded Wood Frames For Mounting



Seats have a MDF Core and Wooden Frame Molded in for Extra Duability

Angle Iron Top Brace Brackets



Entire Frame is Finished with Black Enamel Powder Coat Finish

J Style Black Powder Coated Enamel Finish 1 5/8" OD Pipe

Heavy Center Cross Brace Stabilizes Entire Table Frame

GENERAL NOTES:

FURNITURE LEISURE INC

OUR LIST OF WEB STORES

www.FurnitureLeisure.com www.PoolFurnitureSupply.com
www.PicnicFurniture.com www.PicnicTableSupplier.com
www.ParkTables.com www.UBrace.com

1.800.213.2401

UNLESS OTHERWISE SPECIFIED:

DIMENSIONS ARE IN INCHES
TOLERANCES:
FRACTIONAL ± 1/32
BEND ± 1/2°
THREE PLACE DECIMAL ± .005
Do Not Scale Drawing

MATERIAL

SHEET 1 OF 1

	NAME	DATE
DRAWN	DAT	3/12/2015
CHECKED		
ENG APPR.		
MFG APPR.		
Last Saved	3/13/2015 8:59:15 AM	
COMMENTS:		

TITLE:	DESC.	SIZE	PART NO.	REV
	48" SQUARE TABLE FIBERGLAS TOP AND SEATS	B	4SJCF (Spec)	