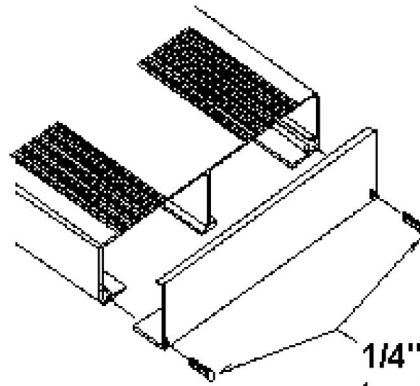
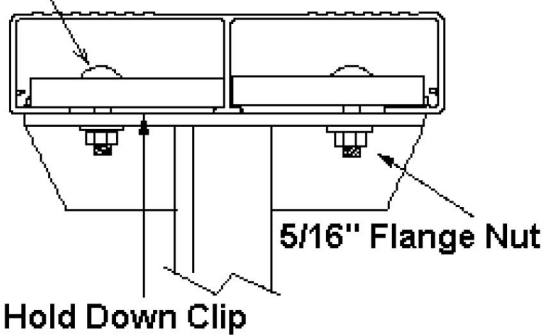


2" x 10" Aluminum Plank(Nominal)

5/16" x 1 1/4" carriage bolts.

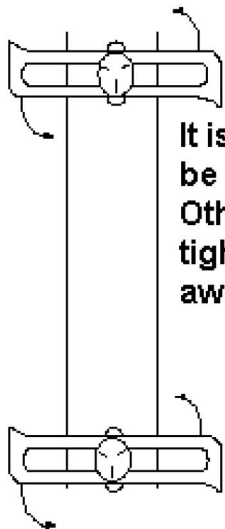


1/4" x 3/4" drive screws
tap into screw chases
with small hammer.

FIGURE 5

Use rivets to attach end caps to 2 x 12 plank.

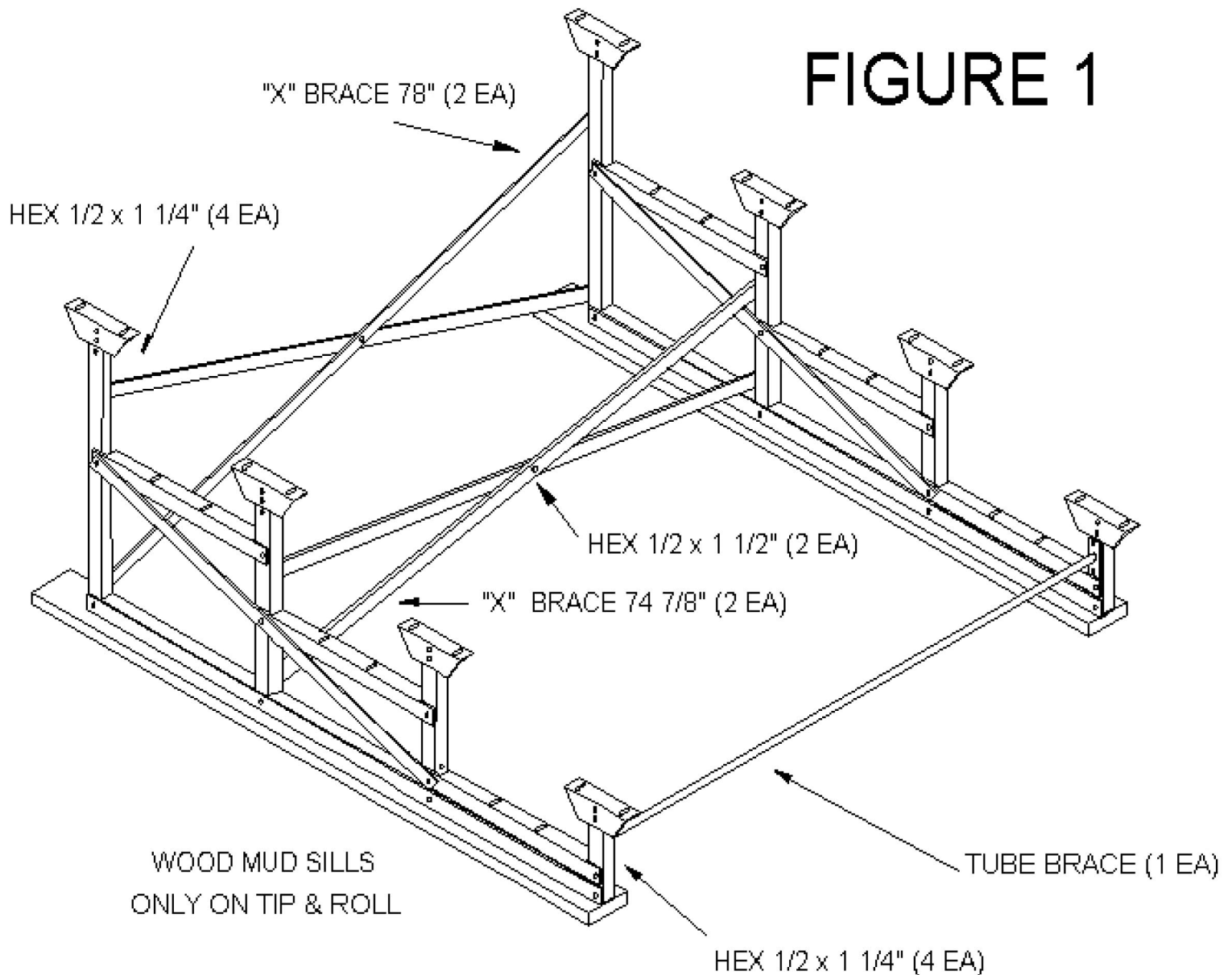
Seat & Footboard planks attach with the hardware shown above.



It is essential that the clips
be placed in this manner.
Otherwise when the nut is
tightened, the clip will turn
away from the plank.

FIGURE 4

FIGURE 1



REV 5/10 JPB

FILE: CADDR\WGS\JIM SR. UPDATES\BLA4 UPDATES\BLA475 fig 1 ASSY

NOTE: 3rd & 4th row braces normally attach to the front of the uprights.
On tip & roll and double footboard models, they attach to the back as shown here.

FIGURE 2

